

NMSF 4-H Indoor Exhibit Size Guidelines

Posters

- Maximum size: 14" x 22" (half of a standard poster board).
- Defined as any flat paper, foam board, cardboard, or other backing suitable for wall display.
- No stands permitted—must be wall-appropriate.

Display Boards

- Maximum size: 18" x 48" (half of a standard tri-fold display board).
- Defined as scored, freestanding science boards found at school supply stores.
- Must be freestanding by folding in the sides slightly.

Other Exhibit Boards

- Base size for three-dimensional vertical displays: No larger than 24" x 24".
- Defined as exhibits with a solid base where the display rises vertically (e.g., Small Engines, Self-Determined, or other 3-D exhibits).

Project-Specific Boards

- Some projects have specific size guidelines in the project book (e.g., Leathercraft, Braiding).
- If a project book specifies dimensions, members must follow those rules.

Photography Entries

- Single Photos:
 - Sizes: 3½" x 5", 4" x 6", or 5" x 7".
 - Must be mounted on an 8" x 10" backing without frames or glass.
 - Include a caption.
- Photo Sets (3-5 photos):
 - Sizes: 3½" x 5" or 4" x 6".
 - Mounted on an 11" x 14" backing (4-5 photos go on a 14" x 22" backing).
 - No frames or glass; each photo must have a caption.
 - Backing must be sturdy enough for transport.
- Photography SD (Self-Determined) Category:
 - Posters and display boards must follow the guidelines listed above.

Lego Exhibits

- Base: Must have a sturdy base separate from the one included with Legos.
- Security: Legos must be secured to prevent pieces from falling off when moved.
- Size Limits: No larger than 12" W x 18" L x 16" H.
- Entries exceeding these limits will NOT be accepted—NO EXCEPTIONS.

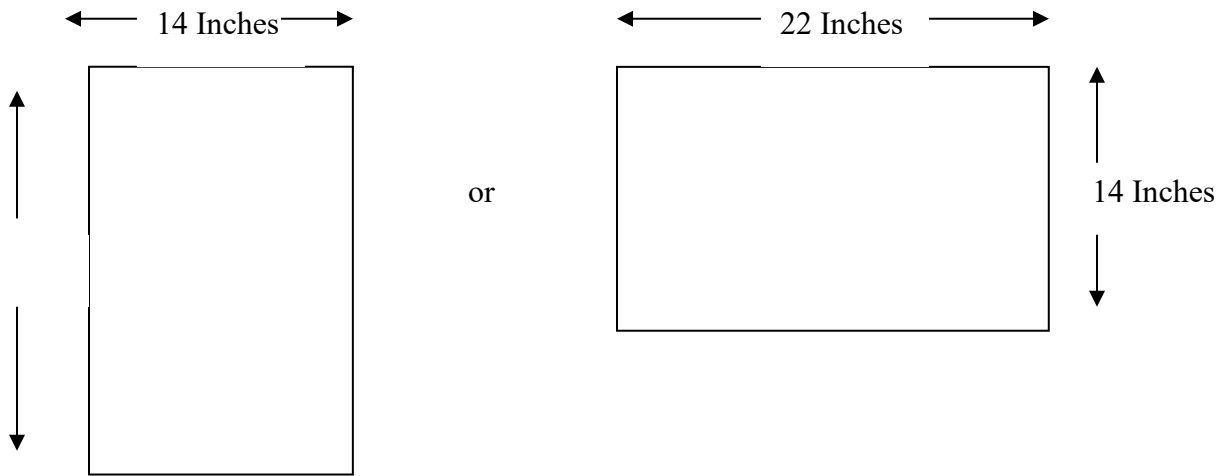
Oversized Items

- Due to space and security limitations, extremely large or heavy exhibits (e.g., Woods, Welding) may not be accepted. Oversized items are not guaranteed to be displayed.
- Counties **must** contact State Office for approval before submitting large projects.

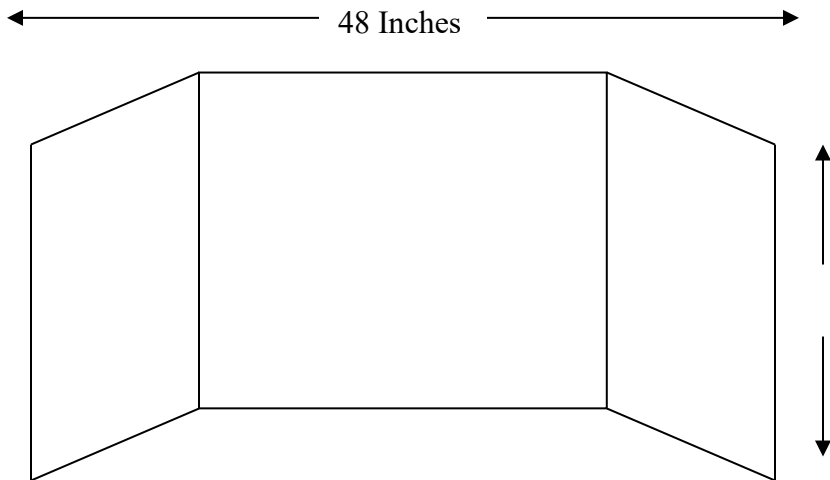
General Policies

- Enter at your own risk.
- While we handle exhibits with care, some risk of damage exists.
- Displayed to the best of our ability. Items will be displayed as effectively as possible.
- Display cases will not be opened to reposition items unless they are upside down or mislabeled.

Posters – flat displays appropriate for hanging on the wall.



Display Board – such as a scored, freestanding science board



Vertical Displays – solid base with a 3-D exhibit that rises from it

